

ROTAIR®

TECHNOLOGY AND ENGINEERING SOLUTIONS



MINIDUMPERS

RAMPICAR®

ALL-TERRAIN TRACK MOUNTED

MULTIFUNCTION



➔ R60 ➔ R70

➔ R100

➔ R80

THE FIRST AND ONLY TRUE MULTI-FUNCTION MINIDUMPER WITH A COMPLETE RANGE OF EASILY INTERCHANGEABLE ACCESSORIES.

GREEN
line



A NEW WORKING CONCEPT!

ISO 9001

BUREAU VERITAS
Certification

Cert. n° 227392

Azienda certificata ISO 9001:2000



CE

RAMPICAR R60

RAMPICAR R60 OFFERS IMPROVED PERFORMANCE LEVELS AND OPERATIONAL EASE, THANKS TO ITS SIMPLE OPERATIONAL FEATURES AND ITS HIGH POWERED ENGINE.

RAMPICAR R60 is today a leader in the field thanks to its innovative and reliable patented hydraulic drive.

Thanks to its sturdy reliability and operational ease it will prove invaluable for your operations. Ideal for use over very irregular and impracticable ground conditions, and for the movement of materials relating to various fields, building, gardening, agriculture, nursery gardening and services.

The fully hydraulic tilting of the loading body, is both simple and practical. The particular contoured design of the track tread, ensures excellent ground adherence even over the

most slippery and muddy ground conditions. It has a loading capacity of over 1102 lbs both with dumper type body and loading body with opening side type.

➔ R60 POWER, PERFORMANCE, VERSATILITY



THE REAL MULTI-TASK MINIDUMPERS,
IDEALS FOR:
RENTAL –
CONSTRUCTION –
AGRICULTURE –
PROFESSIONAL GARDENING

MINIDUMPERS

rampicar

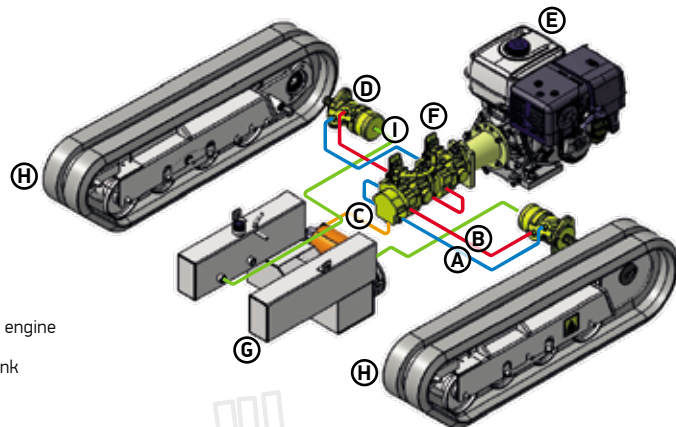


MOVING MULTI-TASK, **TIRELESS,**
RELIABLE... EXCELLENCE WITHIN
 THE WHOLE CATEGORY

➔ R70
➔ R80
➔ R100

TOTALLY HYDROSTATIC TRANSMISSION with double variable displacement pump and the control of each track by means of a fixed displacement engine.

HYDRAULIC SCHEME



- KEY**
- A • Applications
 - B • Applications
 - C • Suction
 - D • Orbital motor
 - E • Petrol or diesel engine
 - F • Pump
 - G • Hydraulic oil tank
 - H • Track
 - I • Drain



RAMPICAR R70 / R80 / R100

The enhanced stability of the vehicle in all working situations is assured thanks to the lowering of the centre of gravity the result of a painstaking study into weight distribution.

Cost effective running.

Sturdy structure thanks to the particular bodywork configuration that ensures enhanced torsional resistance in relation to the required level of strain.

The sub-body elements with tilting element which assures the greatest vehicle stability even under the toughest working conditions. Enhances the efficiency and duration of the tracks as well as the operation safety of the machine.

Mechanical emergency brake for the immediate stop of the Minidumper in case of emergency (R70-R80).



Steady, safe and ergonomic driving position: steering through joystick. Safety device on the board, ensures immediate stop when activated.

Epicycloidal gear motors for the highest performance and safety (R100).

↗ R70 ↗ R80 ↗ R100

SERVICE AREAS EASILY ACCESSIBLE FOR HANDY MAINTENANCE



R70 / R80 - Quick coupler attachments

BASE TRACK
R70/R80



RAMPICAR GOES BEYOND THE HIGH-PERFORMANCE WORK UNIT CONCEPT AND, THANKS TO ITS HYDRAULIC POWER AND AUXILIARY SERVICES, IS AN UNBEATABLE PLATFORM

A wide range of **equipment** enhance the **operating versatility**, against a perfectly affordable investment



GROUND DIGGER



PALLET FORKS



SNOW TURBINE



SNOW BLADE



FORKS WITH PLIERS

MULTIFUNCTION
HARM



HYDRAULIC HAMMER



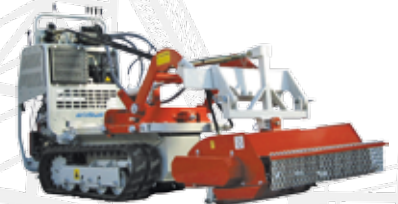
LOADING BUCKET



TRENCHER

HAULING, HANDLING, DIGGING AND **MANY MORE OPERATIONS** THANKS TO THE EXCELLENT **OPERATIONAL CAPABILITIES OF** **RAMPICAR**

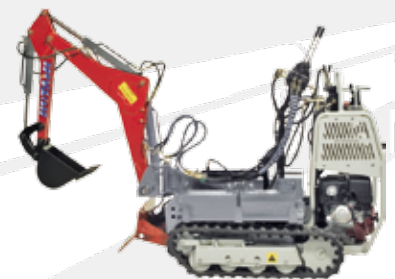
MODEL	R60	R70	R70 Plus	R80	R100	R100 Plus
Dumper type loading body	X	X	X	X	X	X
Body with open boards	X	X	X	X	X	X
Three-sided tilt-opening tailboard body		X	X	X		
Loading platform for wood transport		X	X	X		
Dumper type body with self-loading bucket		X	X	X	X	X
Dumper type body variable height discharge		X	X	X	X	X
Dumper type loading body with variable height discharge with self-loading bucket		X	X	X		
Hydraulic hammer			X	X		X
Mini-excavator			X	X		
Drum type cement mixer			X	X		
Drum type cement mixer with self-loading bucket			X	X		
Kit snow blade		X	X	X		
Mutifunction arm		X	X	X		
› Snow blade		X	X	X		
› Pallet forks		X	X	X		
› Universal pallet forks		X	X	X		
› Loading bucket		X	X	X		
› Hydraulic hammer			X	X		
› Ground digger			X	X		
› Winch			X	X		
› Wood-cutter			X	X		
› Trencher				X		
› Snow turbine				X		
› Shrubs-cutter				X		
› Rotary hoe				X		



SHRUBS-CUTTER



DRUM TYPE CEMENT MIXER



MINI EXCAVATOR



WINCH



SNOW BLADE



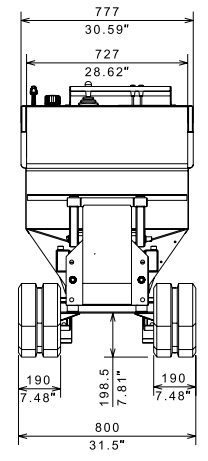
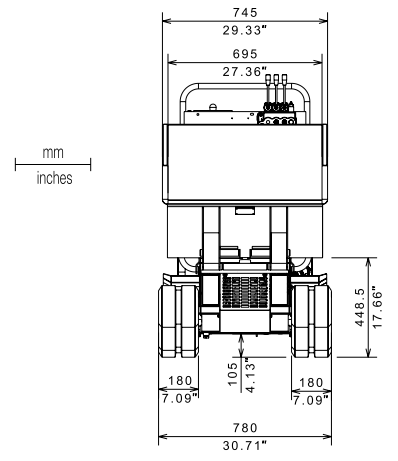
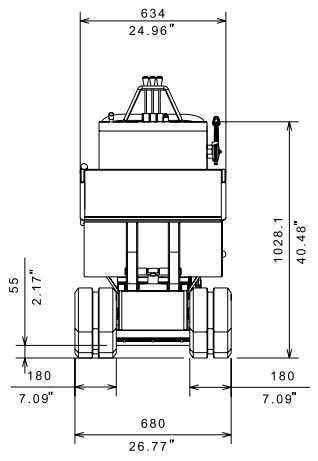
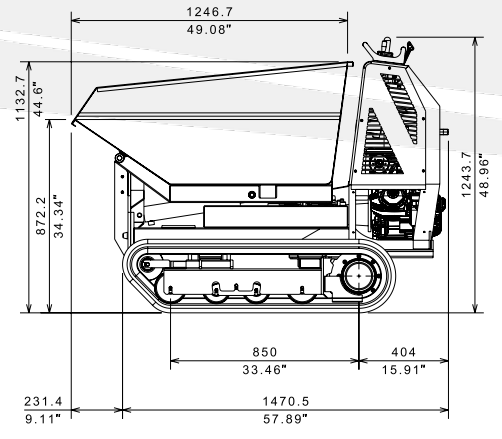
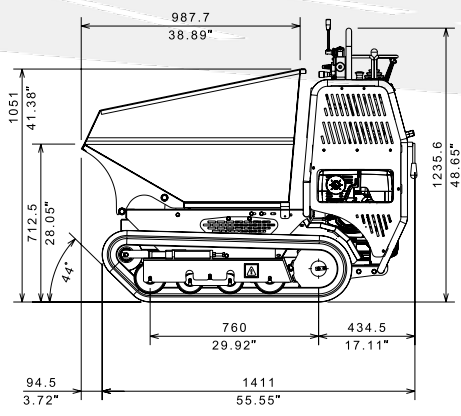
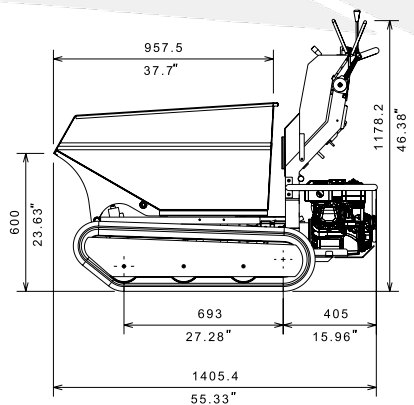
HYDRAULIC WOOD-CUTTER

DIMENSIONS

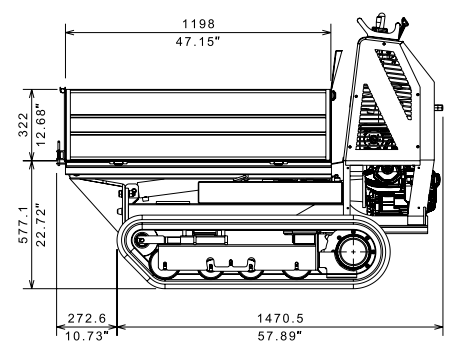
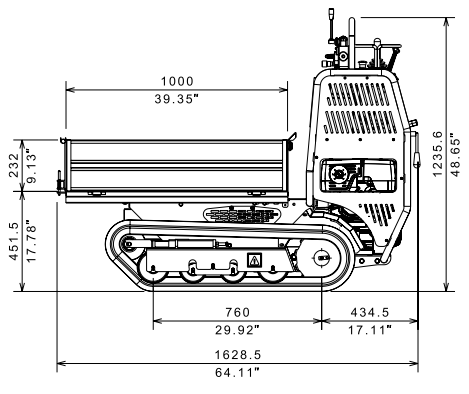
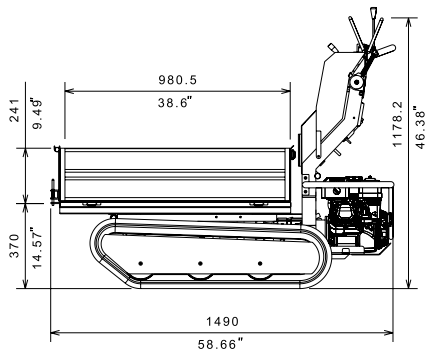
R60

R70/R80

R100



mm
inches



> R60 / R70 / R70 PLUS / R80 / R100 / R100 PLUS

TECHNICAL DATA	R60	R70	R70 PLUS	R80	R100	R100 PLUS
Max working capacity only base truck	600 kg 1323 lbs	800 kg 1764 lbs	800 kg 1764 lbs	800 kg 1764 lbs	1000 kg 2205 lbs	1000 kg 2205 lbs
Loading capacity with dumper type body	0,21 mc	0,28 mc	0,28 mc	0,28 mc	0,38 mc	0,38 mc
Weight w/ dumper buggy	255 kg 562 lbs	375 kg 827 lbs	395 kg 871 lbs	445 kg 981 lbs	570 kg 1257 lbs	620 kg 1367 lbs
Engine details	Honda benzina 4 tempi GX200 pull start	Honda benzina 4 tempi GX270 pull start	- - -	- - -	- - -	- - -
	-	Honda benzina 4 tempi GX390 electric start	Honda benzina 4 tempi GX390 electric start	Honda benzina 4 tempi GX620 electric start	Honda benzina 4 tempi GX390 electric start	Kubota diesel Z602-13,5 HP electric start
	-	Yanmar diesel L100 10HP	Yanmar diesel L100 10HP	Honda benzina 4 tempi GX690 electric start	-	-
	-	electric/pull start	electric/pull start	electric start	-	-
Engine cooling	Air	Air	Air	Air	Air	Liquid
Max slope	20° 36%	20° 36%	20° 36%	20° 36%	20° 36%	20° 36%
Drive	Hydraulic	Hydrostatic	Hydrostatic	Hydrostatic	Hydrostatic	Hydrostatic
Speed	2,0-4,0 km/h	0-4,2 km/h	0-4,2 km/h	0-5,4 km/h	0-3,6 km/h	0-3,9 km/h
Steering	levers	mono-joystick	mono-joystick	mono-joystick	mono-joystick	mono-joystick
Oil delivery for auxiliary accesories	-	11 lt/min 180 bar	21 lt/min 150 bar	21+14 lt/min 180 bar	11 lt/min 180 bar	18 lt/min 180 bar
Auxiliary circuit oil cooling	No	No	Si	Si	No	Si
Distribution for auxiliaries	No	No	Si	Si	No	Si

* Further information available on request. The manufacturer reserves the right to modify the technical features mentioned here without prior notice.

lingemdes@rotair.it

R60-R70-R80-R100/Marzo 2013/rev00

A NEW WORKING CONCEPT!

CINGOLATI TUTTO TERRENO | MULTIFUNZIONE

ROTAIR®

TECHNOLOGY AND ENGINEERING SOLUTIONS

Via Bernezzo, 67 - 12023 Caraglio (Cn) ITALY
Tel: +39 0171.619676 / Fax: +39 0171.619677

www.rotairspa.com • info@rotairspa.com