

## High quality rammers

The exceptional features of the PACLITE four-stroke CRX rammers are their compact design, low weight and high efficiency. The high and powerful percussion rate and their fast speed of movement provides excellent results.

Honda GXR120 4-stroke gasoline engines with diaphragm carburettor, provides greatest performance.

A unique three stage air filtration system allows a virtually dust-free motor for longer service life.

The rammer foot is manufactured by hand using heat laminated wood and steel to provide flexibility and endurance on any type of soil.

## FEATURES AND BENEFITS

- Exceptional smoothness and comfort while in operation.
- Engine Protection system (EPS).
- Triple air filtration system with cyclone prefilter: high filter capacity thanks to premium quality.
- Easy access to servicing points.
- Automatic oil level.
- Low vibrating handle.
- Protective cover with tachymeter that measures speed and duration of work.
- Strong lifting eye.
- Pull wheels mounted on frame for easy loading.
- Engine shut-off integrated in the throttle.
- Narrow frame 380 mm.
- Bellow of German fabrication.
- Honda GXR120 engine.



Anti Vibration technology system and comfort

Patent Pending



POWERED BY HONDA



12 Hz



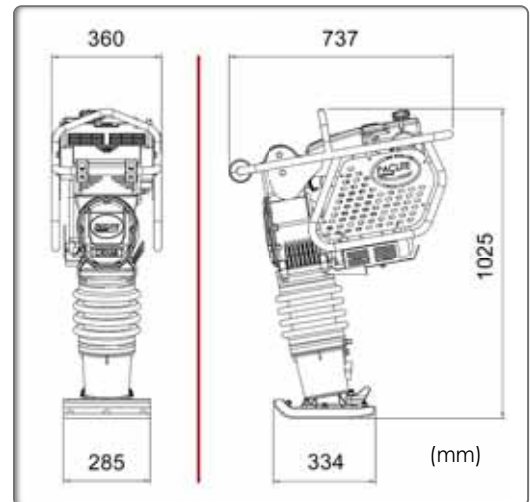
20°



18-17 kN



8-15 m/min



Code	CRX60H	CRX68H
Model	CRX60 Honda	CRX68 Honda
Operating weight (kg)	62	69
Plate width (mm)	335-265	335-285
Engine	Honda GXR120	Honda GXR120
Power hp (kW)	4,5 (3)	3,5 (3)
Engine speed (rpm)	3600	3600
Cylinder (cm³)	121	98
Consumption of fuel (l/h)	1,1	0,88
Speed (m/min)	8 - 11	8-15
Amplitude (mm)	70 - 80	70 - 80
Frequency (Hz)	12	12
Centrifugal force (kN)	18	17
Sound pressure level dB (A)	104	104
Percussion rate max. (blows/min)	640	630
Operating speed (m/min)	7	8,7
Surface capacity compaction (m²/h)	120	148
Vibration emission value* (m/s²)	6,4	6,4
CO2 (NRSC) (g/kWh)	655	645
Hand-arm vibration* (m/s²)	5,8	5,8
* Minimum vibration levels measured to EN500-4		
Certified power SAE J 1349		



Heat laminated hand-made wooden foot



Tachymeter



Engine shut-down on handle



HONDA GXR120

Wheel kit OPTION	
Code	OP/TR-WHEEL
	Wheel kit

COMPACTION

MOBILE EQUIPMENT

CONCRETE EQUIPMENT

SURFACING

CUTTING - GRINDING